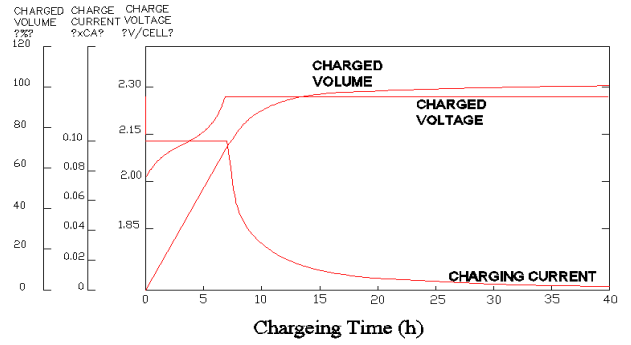
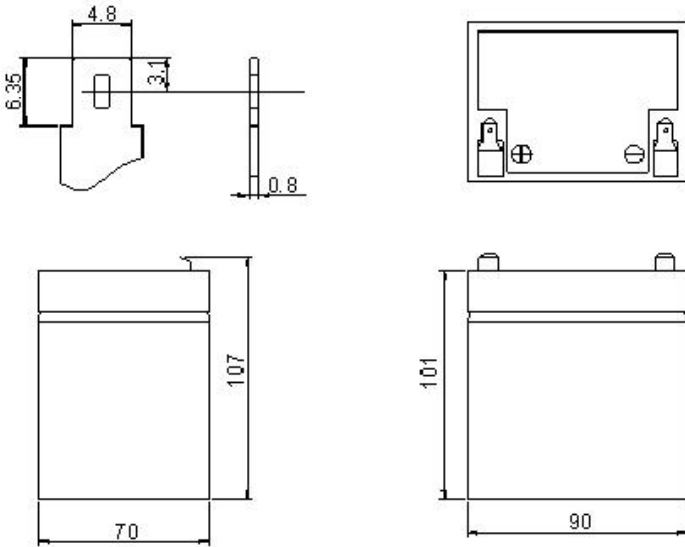


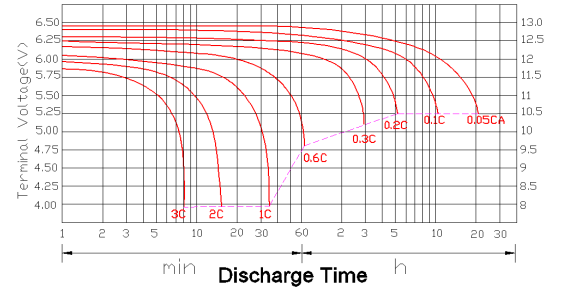


SLC_5_12B

GENERAL PURPOSE BATTERIES



DISCHARGE CHARACTERISTICS AT 25°C(77°F)



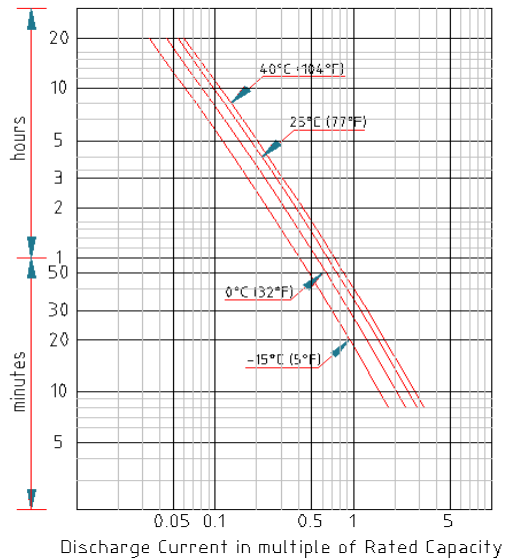
Specifications

Nominal Voltage		V	12V
Capacity (20 hour rate, 25°C)		Ah	5
Dimensions	Length	mm	90
	Width	mm	70
	Height	mm	101
	Total height	mm	107
Weight	Kg	Kg	1,6

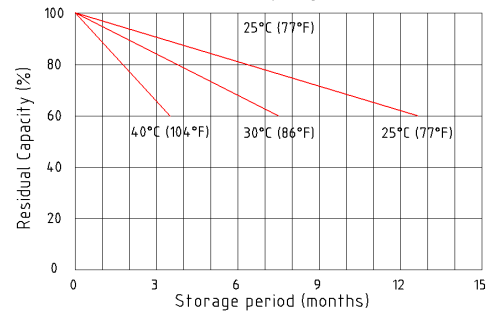
Characteristics

Capacity	20 hour rate	Ah	5	
25°C (77°F)	10 hour rate	Ah	4,82	
	5 hour rate	Ah	4,275	
	1 hour rate	Ah	3,2	
	Internal Resistance (Full charged Battery 25°C - 77°F)	mΩ	50	
Capacity affected by Temperature (20 hour rate)	40°C (104 °F)	Ah	102	
	25°C (77 °F)	Ah	100	
	0°C (32 °F)	Ah	85	
	-15°C (5 °F)	Ah	65	
Self-Discharge 25°C (77°F)	Capacity after 3 month storage	%	90	
	Capacity after 6 month storage	%	81	
	Capacity after 12 month storage	%	62	
Maximum Discharge Current at 25°C (77°F) (5 sec)		A	70	
Terminal	Standard	Cooper 4,7		
	Optional			
Charging (Costant Voltage)	Maximum Initial Charging Current		A	1
	Cycle	Voltage at 25°C (77°F)	VPC	2,4-2,48
	Float	Voltage at 25°C (77°F)	VPC	2,26-2,28

Duration of Discharge vs. Discharge Current



Residual Capacity (25°C)



Constant Current Discharge Ratings Amperes @ 25°C (77°F)

End voltage	Operating Time								
	VPC	5min	15min	30min	60min	3hr	5hr	10hr	20hr
1,8	15,3	7,6	4,8	3,0	1,3	0,8	0,48	0,25	
1,7	15,6	8,0	5,0	3,2	1,3	0,9	0,49	0,25	
1,6	16,7	8,5	5,3	3,3	1,4	0,9	0,49	0,25	

Constant Power Discharge Watts Per Cell @ 25°C (77°F)

End voltage	Operating Time												
	VPC	5min	10min	15min	30min	45min	60min	2hr	3hr	5hr	10hr	12hr	20hr
1,75	31,4	20,5	15,6	10,4	7,7	6,29	3,46	2,44	1,59	0,86			
1,7	32,9	21,4	16,4	10,7	7,9	6,36	3,46	2,44	1,59	0,86			
1,67	34,3	22,1	16,9	10,9	8,1	6,43	3,46	2,44	1,59	0,86			
1,6	35,7	22,9	17,6	11,1	8,4	6,57	3,46	2,44	1,59	0,86			