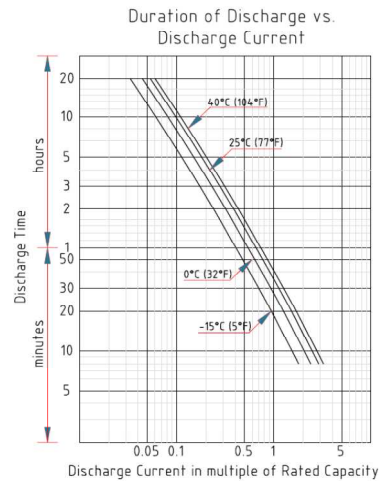
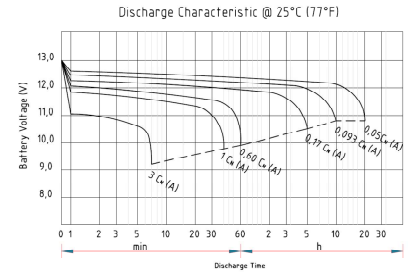
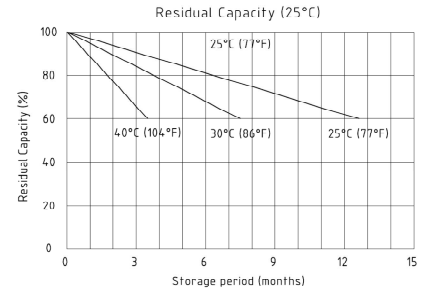
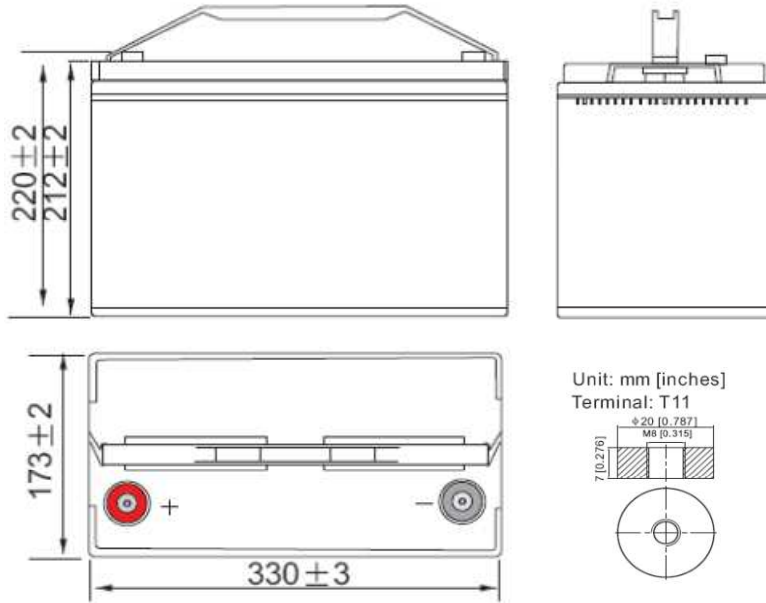




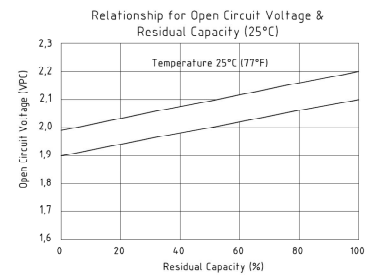
ENERPOWER

Serie SLC 90-12A (90 Ah 12V)

GENERAL PURPOSE BATTERIES



Specification	
Nominal Voltage	12 V
Nominal Capacity (20 Hr)	90Ah
Dimension	Length 330±3 mm (12,99 inches)
	Width 173±2 mm (6,81 inches)
	Container Height 212±2 mm (8,35 inches)
	Total Height (with terminal) 220±2 mm (8,66 inches)
Approx Weight	Approx 28,0 kg (61,7 lbs)
Terminal	T11
Container Material	ABS
Rated Capacity	93,6 Ah / 4,68A (20 hr, 1,80 V/cell, 25°C/77°F)
	90 Ah / 9A (10 hr, 1,80 V/cell, 25°C/77°F)
	77,5 Ah / 15,5A (5 hr, 1,75 V/cell, 25°C/77°F)
	70,2 Ah / 23,4A (3 hr, 1,75 V/cell, 25°C/77°F)
	54,9 Ah / 54,9A (1 hr, 1,60 V/cell, 25°C/77°F)
Max Discharge Current	1.080,0 A (5 s)
Internal Resistance	Approx 5 mΩ
Operating Temperat. Range	Discharge : -15÷50°C (5÷122°F)
	Charge : 0÷40°C (32÷104°F)
	Storage : -15÷40°C (5÷104°F)
Nominal Operating Temp. Range	25±3°C (77±5°F)
Cycle Use	Initial Charging Current less than 18 A Voltage 14,4÷15,0V at 25°C (77°F) Temperature Coefficient -30mV/°C
Standby Use	No limit on Initial Charging Current Voltage 13,5÷13,8 V at 25°C (77°F) Temperature Coefficient - 20mV/°C
Capacity affected by Temperature	40°C (104°F) 103% 25°C (77°F) 100% 0°C (32°F) 86%
Self Discharge	Enerpower SLC series batteries may be stored for up to 6 months at 25°C (77°F) and then a freshening charge is required. For higher temperatures the time interval will be shorter.



Constant Current Discharge (Amperes) at 25°C (77°F)

F.V / Time	10 min	15 min	20 min	30 min	45 min	1 h	2 h	3 h	4 h	5 h	6 h	8 h	10 h	20 h
1,85V / cell	121,1	103,0	86,1	68,5	51,8	42,4	27,0	21,4	17,4	14,1	12,2	9,95	8,50	4,64
1,80V / cell	154,7	124,4	101,8	80,8	60,3	47,5	29,5	23,0	18,6	15,1	13,1	10,50	9,00	4,68
1,75V / cell	170,0	135,9	109,5	83,9	62,5	49,7	30,6	23,4	19,0	15,5	13,5	10,70	9,09	4,73
1,70V / cell	185,3	145,1	115,1	87,3	65,0	51,3	31,8	24,1	19,5	15,9	13,8	10,90	9,18	4,82
1,67V / cell	192,7	149,7	118,7	89,7	65,9	52,2	32,3	24,6	19,9	16,1	14,0	10,95	9,28	4,85
1,65V / cell	200,0	154,3	122,3	92,1	66,7	53,0	32,7	25,1	20,2	16,3	14,1	11,00	9,37	4,88
1,60V / cell	217,1	165,0	130,3	97,2	69,5	54,9	33,8	25,9	20,9	16,9	14,4	11,20	9,47	4,91

Constant Power Discharge (Watts) at 25°C (77°F)

F.V / Time	10 min	15 min	20 min	30 min	45 min	1 h	2 h	3 h	4 h	5 h	6 h	8 h	10 h	20 h
1,85V / cell	240,92	205,65	172,71	137,94	104,48	85,28	53,92	42,35	34,51	27,82	24,22	19,65	16,82	9,18
1,80V / cell	309,76	249,03	204,10	162,23	121,85	96,03	58,95	45,72	36,82	29,85	25,91	20,89	17,85	9,26
1,75V / cell	341,59	273,05	220,64	169,13	126,60	100,99	61,33	46,65	37,71	30,68	26,57	21,25	17,98	9,33
1,70V / cell	371,33	292,33	233,74	177,28	132,56	104,68	63,96	48,07	38,48	31,49	27,25	21,49	18,21	9,52
1,67V / cell	388,50	303,60	246,10	183,00	135,10	106,70	65,10	49,10	38,60	32,00	27,70	22,00	18,40	9,56
1,65V / cell	404,26	313,48	249,74	187,53	135,74	108,22	65,70	50,02	40,15	32,28	27,82	22,03	18,54	9,63
1,60V / cell	432,95	332,58	265,26	197,49	141,27	111,87	67,82	51,52	41,38	33,28	28,41	22,07	18,77	9,67