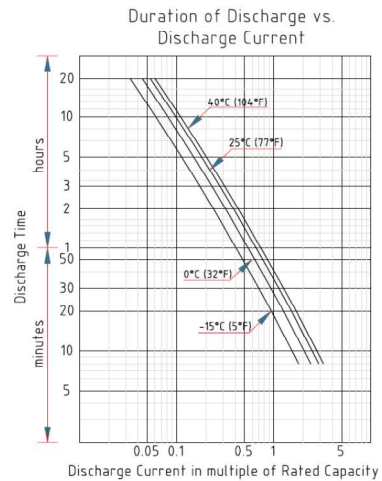
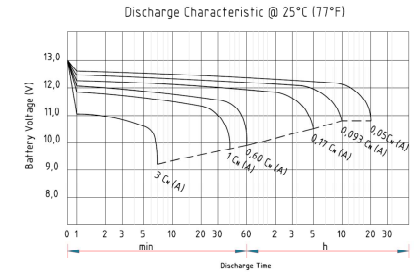
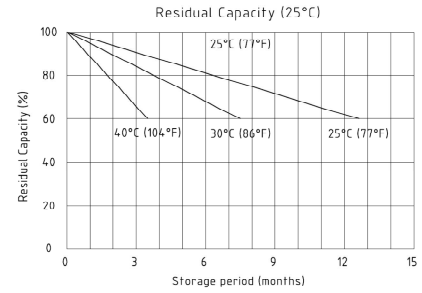
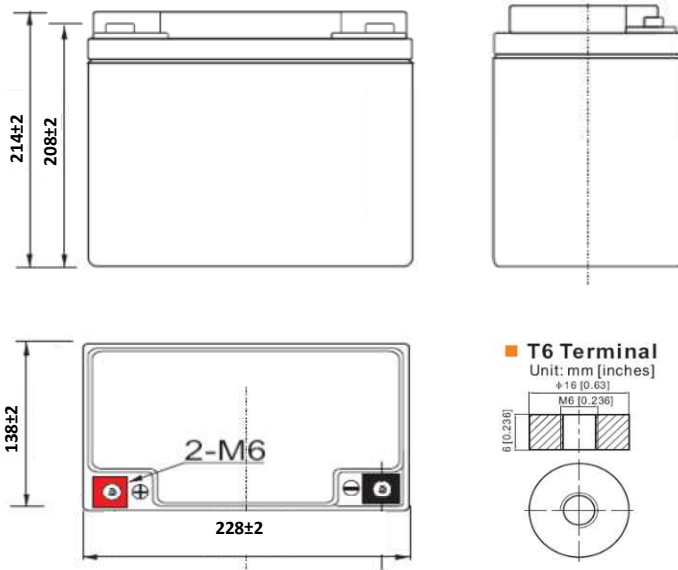




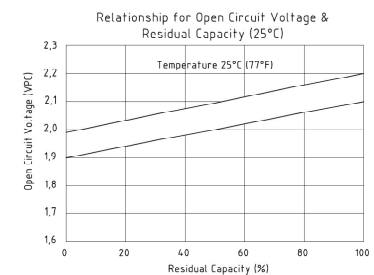
ENERPOWER

Serie SLC 55-12B (55 Ah 12V)

GENERAL PURPOSE BATTERIES



Specification	
Nominal Voltage	12 V
Nominal Capacity (20 Hr)	55Ah
Dimension	Length 228±2 mm (8,98 inches)
	Width 138±2 mm (5,43 inches)
	Container Height 208±2 mm (8,19 inches)
	Total Height (with terminal) 214±2 mm (8,98 inches)
Approx Weight	Approx 17,0 kg (37,5 lbs)
Terminal	T6
Container Material	ABS
Rated Capacity	57,2 Ah / 2,86A (20 hr, 1,80 V/cell, 25°C/77°F)
	55 Ah / 5,5A (10 hr, 1,80 V/cell, 25°C/77°F)
	47,3 Ah / 9,46A (5 hr, 1,75 V/cell, 25°C/77°F)
	42,9 Ah / 14,3A (3 hr, 1,75 V/cell, 25°C/77°F)
	33,6 Ah / 33,6A (1 hr, 1,60 V/cell, 25°C/77°F)
Max Discharge Current	660,0 A (5 s)
Internal Resistance	Approx 7,5 mΩ
Operating Temperat. Range	Discharge : -15÷50°C (5÷122°F)
	Charge : 0÷40°C (32÷104°F)
	Storage : -15÷40°C (5÷104°F)
Nominal Operating Temp. Range	25±3°C (77±5°F)
Cycle Use	Initial Charging Current less than 11 A Voltage 14,4÷15,0V at 25°C (77°F) Temperature Coefficient -30mV/°C
Standby Use	No limit on Initial Charging Current Voltage 13,5÷13,8 V at 25°C (77°F) Temperature Coefficient - 20mV/°C
Capacity affected by Temperature	40°C (104°F) 103% 25°C (77°F) 100% 0°C (32°F) 86%
Self Discharge	Enerpower SLC series batteries may be stored for up to 6 months at 25°C (77°F) and then a freshening charge is required. For higher temperatures the time interval will be shorter.



Constant Current Discharge (Amperes) at 25°C (77°F)

F.V / Time	10 min	15 min	20 min	30 min	45 min	1 h	2 h	3 h	4 h	5 h	6 h	8 h	10 h	20 h
1,85V / cell	74,0	62,9	52,6	41,8	31,7	25,9	16,5	13,1	10,7	8,60	7,49	6,08	5,19	2,83
1,80V / cell	94,6	76,0	62,2	49,4	36,8	29,0	18,0	14,1	11,4	9,23	8,03	6,45	5,50	2,86
1,75V / cell	103,9	83,1	66,9	51,3	38,2	30,4	18,7	14,3	11,6	9,46	8,25	6,56	5,56	2,89
1,70V / cell	113,3	88,7	70,4	53,3	39,7	31,3	19,4	14,7	11,9	9,71	8,42	6,65	5,61	2,94
1,67V / cell	117,8	91,5	72,6	54,8	40,2	31,9	19,7	15,0	12,2	9,85	8,52	6,70	5,67	2,96
1,65V / cell	122,2	94,3	74,7	56,3	40,7	32,4	20,0	15,3	12,4	9,98	8,61	6,75	5,73	2,98
1,60V / cell	132,7	100,8	79,6	59,4	42,5	33,6	20,7	15,8	12,7	10,30	8,79	6,82	5,79	3,00

Constant Power Discharge (Watts) at 25°C (77°F)

F.V / Time	10 min	15 min	20 min	30 min	45 min	1 h	2 h	3 h	4 h	5 h	6 h	8 h	10 h	20 h
1,85V / cell	147,23	125,62	105,50	84,24	63,88	52,13	32,97	25,96	21,15	17,04	14,77	12,03	10,32	5,61
1,80V / cell	189,26	152,18	124,77	99,20	74,45	58,65	36,05	27,88	22,58	18,22	15,83	12,76	10,93	5,66
1,75V / cell	208,71	166,86	134,79	103,36	77,40	61,65	37,44	28,48	23,10	18,69	16,26	12,99	11,05	5,70
1,70V / cell	226,93	178,64	142,78	108,27	81,01	64,03	39,11	29,42	23,50	19,26	16,61	13,11	11,17	5,81
1,67V / cell	237,40	185,60	150,40	111,80	82,60	65,30	39,80	30,00	23,60	19,60	16,90	13,44	11,30	5,85
1,65V / cell	247,04	191,63	152,60	114,56	82,99	66,10	40,18	30,58	24,50	19,71	16,96	13,45	11,38	5,88
1,60V / cell	264,51	203,33	162,11	120,70	86,36	68,40	41,47	31,50	25,28	20,38	17,31	13,46	11,50	5,91