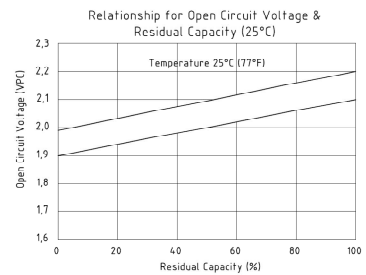
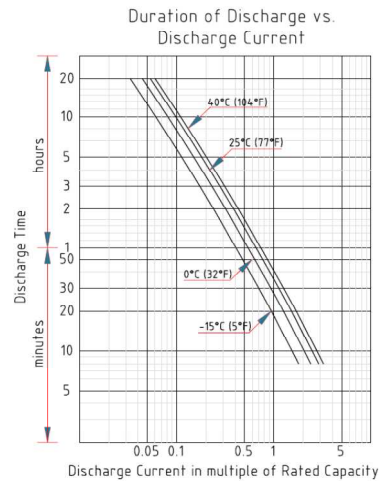
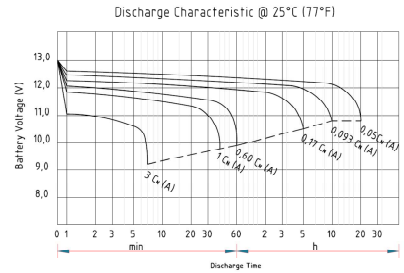
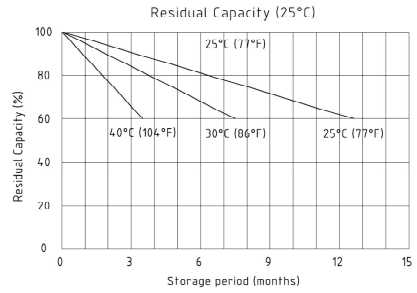
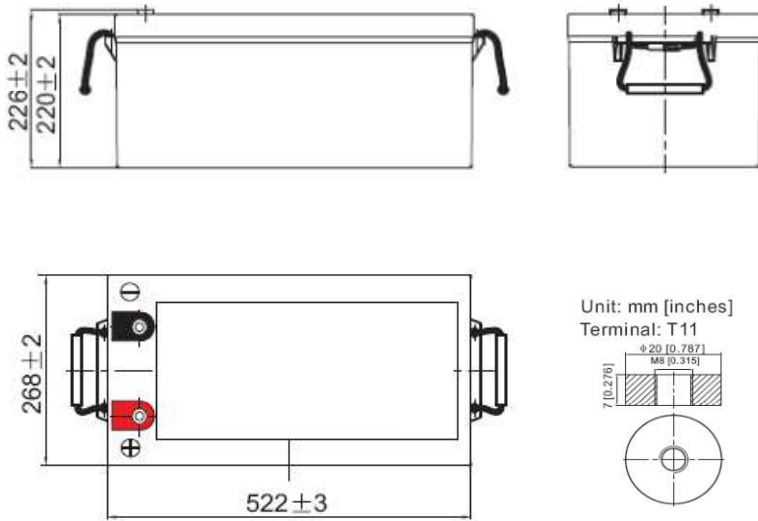




ENERPOWER

Serie SLC 250-12A (250 Ah 12V)

GENERAL PURPOSE BATTERIES



Specification	
Nominal Voltage	12 V
Nominal Capacity (20 Hr)	250Ah
Dimension	Length 522±3 mm (20,55 inches)
	Width 268±2 mm (10,55 inches)
	Container Height 220±2 mm (8,66 inches)
	Total Height (with terminal) 226±2 mm (8,90 inches)
Approx Weight	Approx 73,0 kg (161,0 lbs)
Terminal	T11
Container Material	ABS
Rated Capacity	260 Ah / 13A (20 hr, 1,80 V/cell, 25°C/77°F)
	250 Ah / 25A (10 hr, 1,80 V/cell, 25°C/77°F)
	215 Ah / 43A (5 hr, 1,75 V/cell, 25°C/77°F)
	195,3 Ah / 65,1A (3 hr, 1,75 V/cell, 25°C/77°F)
	152,5 Ah / 152,5A (1 hr, 1,60 V/cell, 25°C/77°F)
Max Discharge Current	2.500,0 A (5 s)
Internal Resistance	Approx 2,5 mΩ
Operating Temperat. Range	Discharge : -15÷50°C (5÷122°F)
	Charge : 0÷40°C (32÷104°F)
	Storage : -15÷40°C (5÷104°F)
Nominal Operating Temp. Range	25±3°C (77±5°F)
Cycle Use	Initial Charging Current less than 50 A Voltage 14,4÷15,0V at 25°C (77°F) Temperature Coefficient -30mV/°C
Standby Use	No limit on Initial Charging Current Voltage
	13,5÷13,8 V at 25°C (77°F) Temperature Coefficient - 20mV/°C
Capacity affected by Temperature	40°C (104°F) 103%
	25°C (77°F) 100%
	0°C (32°F) 86%
Self Discharge	Enerpower SLC series batteries may be stored for up to 6 months at 25°C (77°F) and then a freshening charge is required. For higher temperatures the time interval will be shorter.

Constant Current Discharge (Amperes) at 25°C (77°F)

F.V / Time	10 min	15 min	20 min	30 min	45 min	1 h	2 h	3 h	4 h	5 h	6 h	8 h	10 h	20 h
1,85V / cell	336,4	286,1	239,3	190,2	143,9	117,9	75,1	59,4	48,5	39,1	34,0	27,6	23,6	12,88
1,80V / cell	429,8	345,7	282,9	224,4	167,4	132,0	81,9	63,9	51,8	42,0	36,5	29,3	25,0	13,00
1,75V / cell	472,3	377,6	304,3	233,0	173,7	138,1	85,0	65,1	52,9	43,0	37,5	29,8	25,3	13,13
1,70V / cell	514,8	403,1	319,8	242,5	180,7	142,5	88,4	66,9	54,3	44,2	38,3	30,2	25,5	13,38
1,67V / cell	535,2	415,9	329,8	249,2	183,0	144,9	89,6	68,3	55,3	44,8	38,7	30,5	25,8	13,47
1,65V / cell	555,6	428,6	339,7	255,8	185,2	147,3	90,8	69,7	56,2	45,4	39,1	30,7	26,0	13,55
1,60V / cell	603,1	458,4	361,9	270,1	193,0	152,5	93,9	71,9	58,0	46,9	40,0	31,0	26,3	13,63

Constant Power Discharge (Watts) at 25°C (77°F)

F.V / Time	10 min	15 min	20 min	30 min	45 min	1 h	2 h	3 h	4 h	5 h	6 h	8 h	10 h	20 h
1,85V / cell	669,25	571,17	479,64	383,16	290,26	236,96	149,74	117,78	95,94	77,21	67,24	54,64	46,77	25,50
1,80V / cell	860,31	691,66	566,96	450,73	338,62	266,72	163,69	126,90	102,41	82,88	72,07	57,96	49,55	25,71
1,75V / cell	948,82	758,58	612,87	469,78	351,83	280,42	170,32	129,62	104,86	85,14	73,95	58,92	50,02	25,91
1,70V / cell	1.031,57	811,95	649,19	492,33	368,22	290,86	177,62	133,54	106,83	87,33	75,57	59,82	50,60	26,42
1,67V / cell	1.079,10	843,40	683,50	508,30	375,20	296,60	180,70	136,30	107,10	88,80	76,80	61,00	51,10	26,57
1,65V / cell	1.122,84	870,89	693,78	520,79	377,18	300,56	182,64	139,05	111,49	89,69	77,17	61,16	51,58	26,72
1,60V / cell	1.202,56	924,02	736,81	548,68	392,37	310,78	188,43	143,10	114,86	92,57	78,82	61,25	52,17	26,82