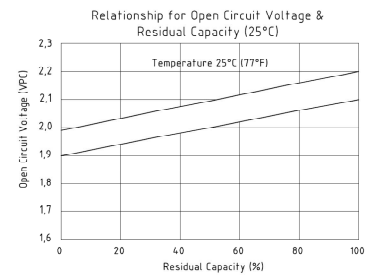
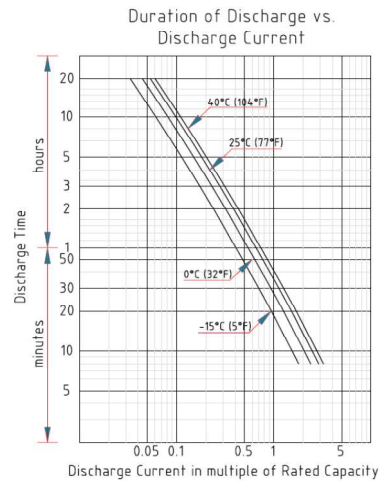
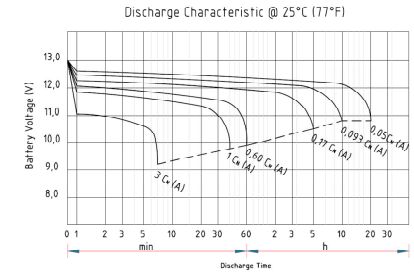
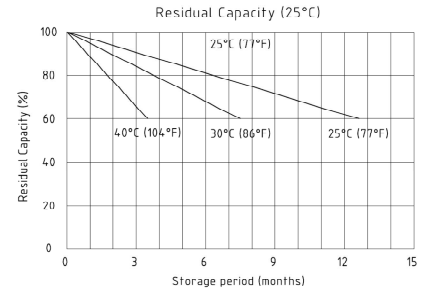
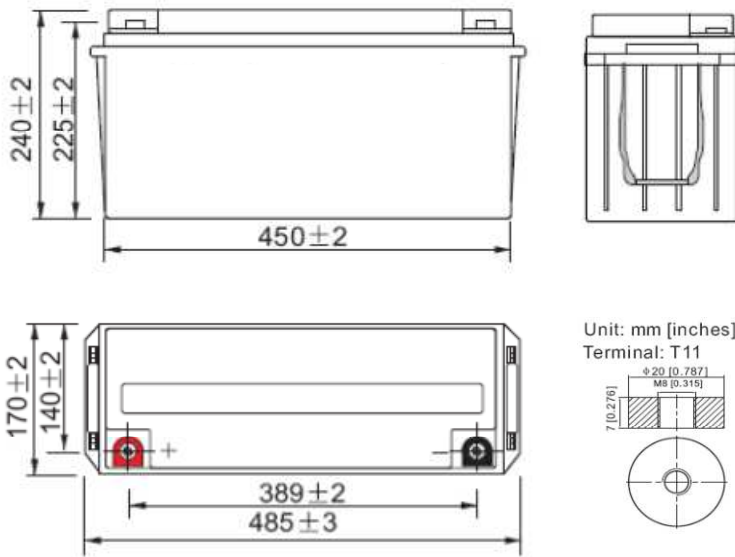




**ENERPOWER**

# Serie SLC 150-12A (150 Ah 12V)

**GENERAL PURPOSE BATTERIES**



Specification	
Nominal Voltage	12 V
Nominal Capacity (20 Hr)	150Ah
Dimension	Length 485±3 mm (19,09 inches)
	Width 170±2 mm (6,69 inches)
	Container Height 240±2 mm (9,45 inches)
	Total Height (with terminal) 240±2 mm (9,45 inches)
Approx Weight	Approx 42,5 kg (93,7 lbs)
Terminal	T11
Container Material	ABS
Rated Capacity	156 Ah / 7,8A (20 hr, 1,80 V/cell, 25°C/77°F)
	150 Ah / 15A (10 hr, 1,80 V/cell, 25°C/77°F)
	130,5 Ah / 26,1A (5 hr, 1,75 V/cell, 25°C/77°F)
	115,2 Ah / 38,4A (3 hr, 1,75 V/cell, 25°C/77°F)
	93,9 Ah / 93,9A (1 hr, 1,60 V/cell, 25°C/77°F)
Max Discharge Current	1.500,0 A (5 s)
Internal Resistance	Approx 3,5 mΩ
Operating Temperat. Range	Discharge : -15÷50°C (5÷122°F)
	Charge : 0÷40°C (32÷104°F)
	Storage : -15÷40°C (5÷104°F)
Nominal Operating Temp. Range	25±3°C (77±5°F)
Cycle Use	Initial Charging Current less than 30 A Voltage 14,4÷15,0V at 25°C (77°F) Temperature Coefficient -30mV/°C
Standby Use	No limit on Initial Charging Current Voltage 13,5÷13,8 V at 25°C (77°F) Temperature Coefficient - 20mV/°C
Capacity affected by Temperature	40°C (104°F) 103% 25°C (77°F) 100% 0°C (32°F) 86%
Self Discharge	Enerpower SLC series batteries may be stored for up to 6 months at 25°C (77°F) and then a freshening charge is required. For higher temperatures the time interval will be shorter.

**Constant Current Discharge (Amperes) at 25°C (77°F)**

F.V / Time	10 min	15 min	20 min	30 min	45 min	1 h	2 h	3 h	4 h	5 h	6 h	8 h	10 h	20 h
1,85V / cell	211,5	185,4	156,6	118,5	90,2	74,3	46,5	35,1	28,8	24,4	21,3	17,1	14,4	7,69
1,80V / cell	243,0	205,8	171,9	129,9	97,4	79,2	49,2	37,6	30,4	25,6	22,3	17,8	15,0	7,80
1,75V / cell	267,3	223,2	184,5	137,7	102,4	83,1	51,0	38,4	31,0	26,1	22,7	18,1	15,2	7,94
1,70V / cell	291,6	238,8	198,9	146,7	107,4	86,7	53,0	39,7	31,8	26,6	23,1	18,4	15,3	8,01
1,67V / cell	303,3	246,6	204,8	150,5	109,8	88,4	53,8	40,2	32,2	26,9	23,3	18,5	15,4	8,05
1,65V / cell	315,0	254,4	210,6	154,2	112,2	90,0	54,5	40,7	32,6	27,2	23,5	18,6	15,5	8,09
1,60V / cell	339,3	269,4	223,2	162,3	117,6	93,9	56,3	41,7	33,3	27,7	23,9	18,9	15,7	8,18

**Constant Power Discharge (Watts) at 25°C (77°F)**

F.V / Time	10 min	15 min	20 min	30 min	45 min	1 h	2 h	3 h	4 h	5 h	6 h	8 h	10 h	20 h
1,85V / cell	420,78	370,22	313,95	238,77	181,90	149,29	92,74	69,53	56,98	48,28	42,01	33,78	28,54	15,20
1,80V / cell	486,41	411,86	344,62	260,89	197,04	160,06	98,21	74,62	60,10	50,50	43,95	35,26	29,69	15,40
1,75V / cell	536,99	448,41	371,64	277,69	207,32	168,70	102,21	76,37	61,42	51,71	44,65	35,76	30,03	15,71
1,70V / cell	584,33	481,08	403,77	297,84	218,87	177,07	106,63	79,15	63,00	52,68	45,48	36,32	30,38	15,81
1,67V / cell	610,00	498,50	407,60	306,90	224,60	181,10	108,50	80,30	63,70	53,30	46,00	36,60	30,60	15,91
1,65V / cell	636,66	516,87	430,06	313,96	228,56	183,71	109,56	81,12	64,65	53,73	46,30	36,88	30,73	16,01
1,60V / cell	676,47	543,05	454,40	329,79	239,04	191,33	113,10	83,02	66,05	54,68	47,15	37,26	31,08	16,11